

Scalers/Chisels



Air Inlet Size: 1/4" NPT
Hose Size Recommendations: 3/8" (10 mm)
Extra Charge Accessories

- Needle Scaler Attachments • Extended Reach Handle • Safety Lever

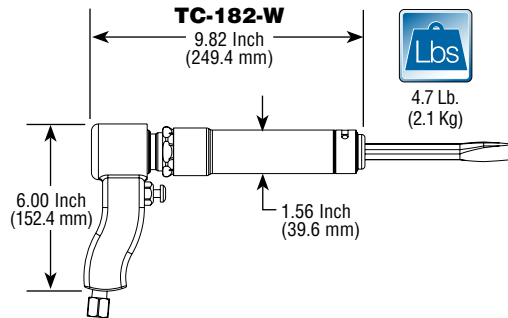
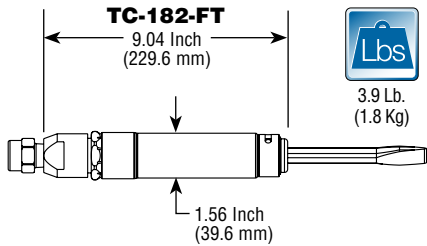
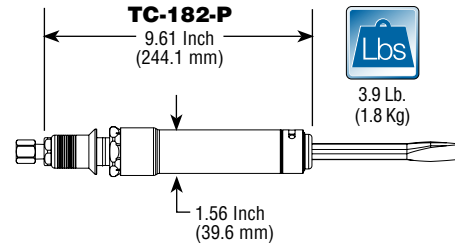
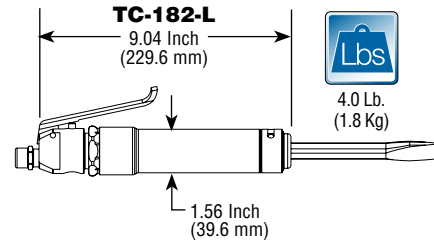
Standard Equipment

- Tool • Operating Instructions and Service Manual

Quick Order Number

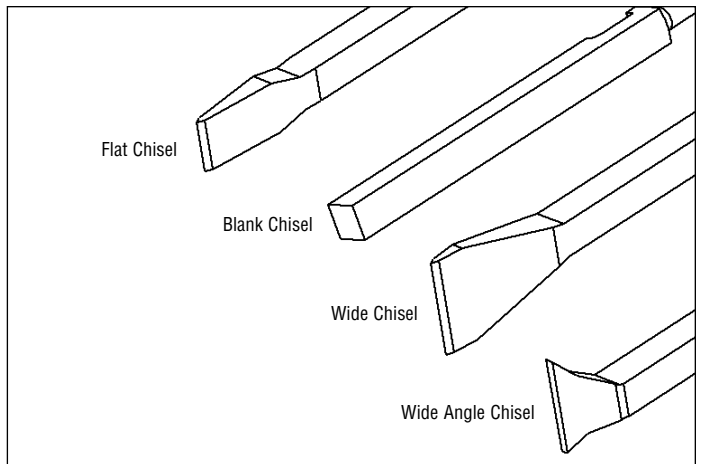
Model Number	Handle Style	Ordering Number
TC-182	Lever	TC-182-L
	Safety Lever	TC-182-K
	Push	TC-182-P
	Offset (Pistol)	TC-182-W

 0.98 Inch x 1.06 Inches (25.0 mm x 27.0 mm)
 4000
 20 cfm (9.4 L/s) Max



Chisels - 1/4 Inch Octagon

Description	Cutting Edge	Overall Length	Part Number
Narrow Flat Chisel	3/4" (19mm)	7" (17.8cm)	839601
Narrow Flat Chisel	3/4" (19mm)	12" (30.5cm)	839601-12
Blank Chisel		7" (17.8cm)	839605
Blank Chisel		12" (30.5cm)	839605-12
Wide Chisel	1 3/8" (34.9mm)	7" (17.8cm)	839602
Wide Angle Chisel	1 3/8" (34.9mm)	7" (17.8cm)	839604
Wide Angle Chisel	1 3/8" (34.9mm)	12" (30.5cm)	839604-12



Other Sizes And Styles Available